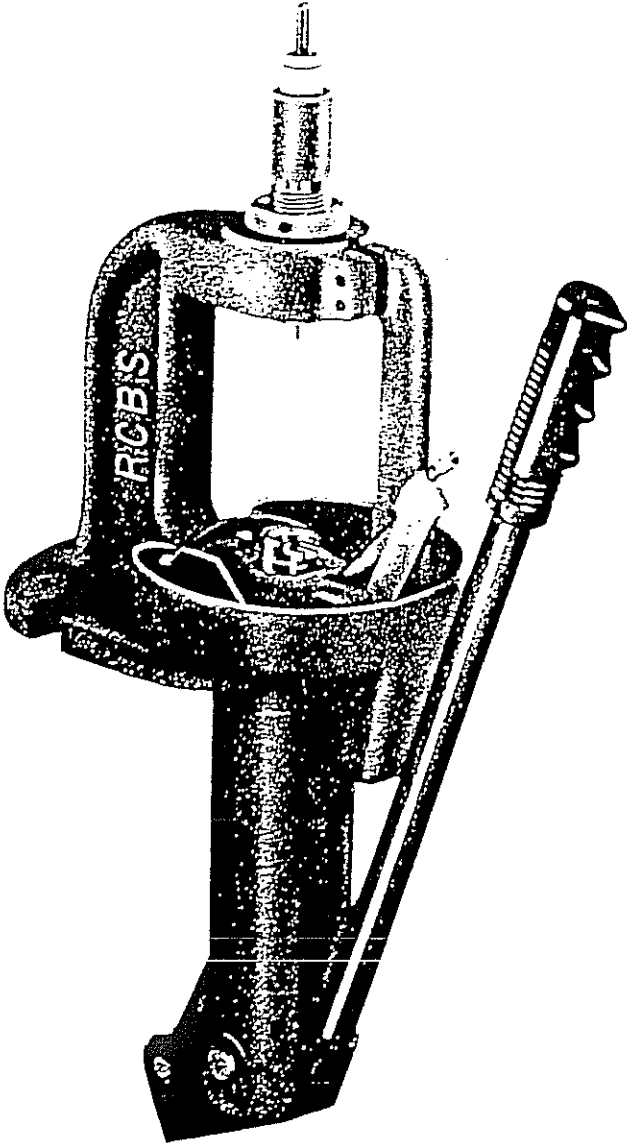


# RS OR JR-3 PRESS

## INSTRUCTIONS



## ALL ABOUT YOUR **R.S. OR JR-3 Press**

Note: The R.S. and JR-3 Press differ only in name

This is the perfect Press for newcomers to reloading and still the favorite of many old hands—the RCBS R.S. or JR-3 Press, America's most popular reloading press. With the R.S. or JR-3 you can reload your favorite rifle or pistol ammo—from the largest Magnums down to .17 caliber. You can resize cases their full length and form .30-06 cases into many other calibers.

### **WILL NOT SPRING OUT OF ALIGNMENT!**

Sturdy, cast iron Block"O" Frame, pioneered by RCBS, eliminates springing of the frame that occurs in "C" and other type presses. Ruggedly constructed "O" Frame is spacious enough to permit easy handling and priming of even the largest cases. Press Frame has an extra long ram-bearing surface to eliminate ram wobble and side-play, and assure you of perfect alignment of Shell Holder to the Die. Frame has standard 7/8"-14 thread for all popular reloading Dies and accessories. Toggle Block, Link, and Pins are made of the finest material available and hardened to prevent springing and breakage.

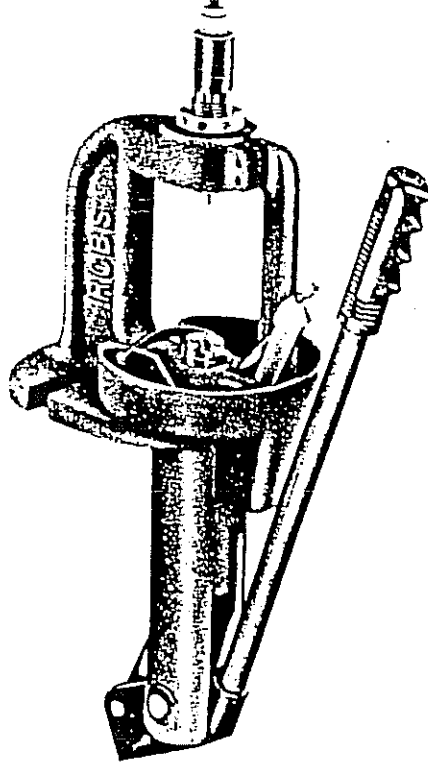
### **DEVELOPS SUFFICIENT LEVERAGE FOR ALL RELOADING.**

The R.S or JR-3 Press develops all the leverage you'll need for full-length sizing and case forming. Solid steel Handle, with comfortable, form-fit grip, resists bending and breakage even under heavy-duty reloading chores. The R.S. or JR-3 has a milled slot and setscrews for attaching an optional RCBS Automatic Primer Feed.

### **YOUR R.S. OR JR-3 PRESS INCLUDES THESE ACCESSORIES:**

**Universal Primer** is equipped with Primer Plugs and Sleeves for seating large and small rifle and pistol primers. Change takes less than one minute. Unique, flat return spring helps prevent primers from jamming Primer Arm action

**Primer Catcher** keeps spent primers from dropping to the floor; is easily removed for emptying; will not spill accidentally.



## R. S. or JR-3 PRESS

### 1. PRIMARY ASSEMBLY

- A. Mount R.S. or JR-3 Press to a workbench (or table) with two  $\frac{3}{8}$ " bolts of sufficient length to penetrate Press base and bench. In an emergency the Press can be fastened to bench or table with two "C" clamps.
- B. Screw Press Handle into Toggle Block. Remove the Handle Grip and tighten the Handle into the Toggle Block with a wrench or pliers. Replace Handle Grip and twist into place.
- C. Carefully remove the Locking Bar cast on the front of the Primer Catcher. Slip Primer Catcher in place around the Press Frame and secure with the Locking Bar in the slots provided.

### 2. THREAD SIZE

The R.S. or JR-3 Press utilizes the same standard  $\frac{7}{8}$ "-14 thread for all standard reloading dies and accessories.

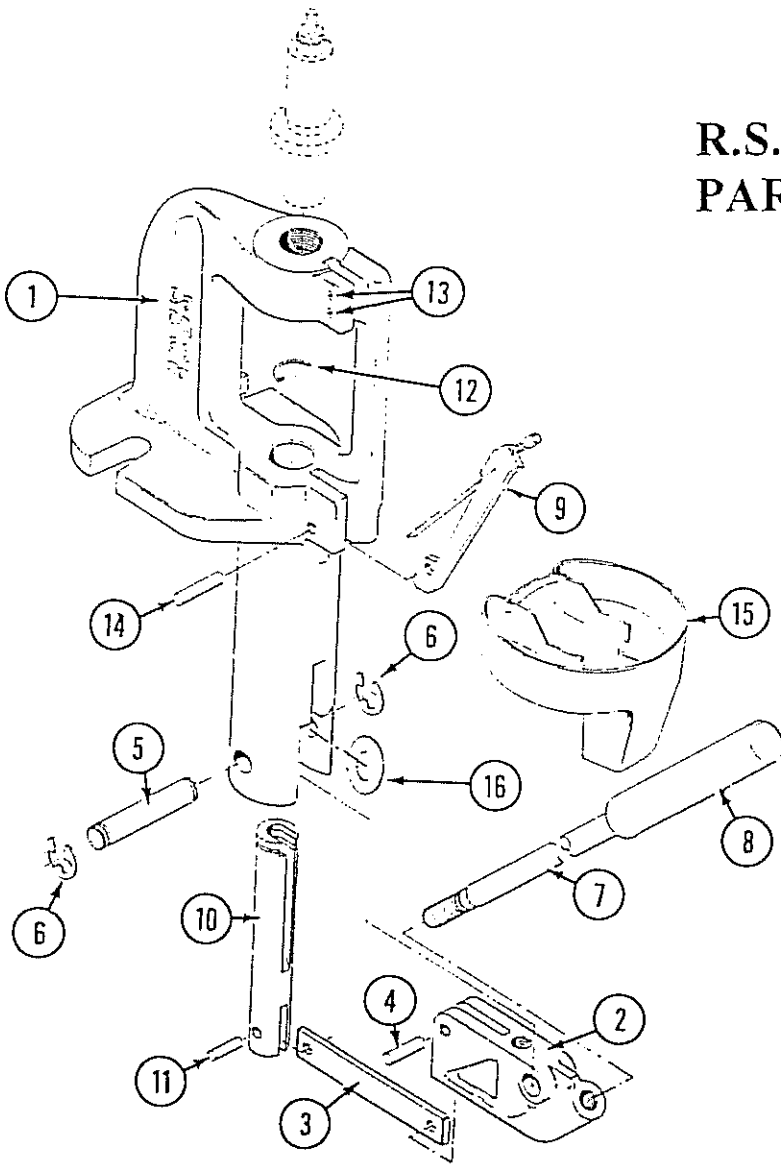
## **6. SHELL HOLDER RAM**

To remove Shell Holder Ram: first remove the Spring Clip (to allow Ram to pass through Ram-bearing surface of the Press Frame), as follows: insert a Shell Holder approximately halfway into the Ram slot until the Spring Clip is forced out of its groove on the left side of the Ram. Then twisting Shell Holder slightly to the left, push the right end of Spring Clip until it is forced out of its groove.

## **7. AUTOMATIC PRIMER FEED (OPTIONAL)**

The two setscrews on the front of the Press frame are for installation of the RCBS Automatic Primer Feed. This and other RCBS accessories for your Press are available at your gun dealer or RCBS customer service at 1-800-533-5000 6:30am-4:00pm Monday-Friday.

# R.S. OR JR-3 PRESS PARTS LIST



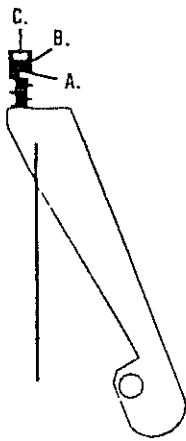
KEY	PART #	DESCRIPTION
-----	--------	-------------

1.	*	FRAME
2.	09101	TOGGLE BLOCK
3.	09102	TOGGLE LINK
4.	09103	TOGGLE LINK PIN
5.	09104	TOGGLE BLOCK PIN
6.	09105	TOGGLE BLOCK PIN SPRING CLIP (2)
7.	09106	HANDLE
8.	09264	HANDLE GRIP
9.	09558	UNIVERSAL PRIMER ARM
10.	09109	SHELL HOLDER RAM
11.	09110	SHELL HOLDER RAM PIN
12.	09111	SHELL HOLDER RAM CLIP SPRING
13.	09099	SETSCREW 10/32"X1/4" (2)
14.	09113	UNIVERSAL PRIMER ARM PIN
15.	09114	PRIMER CATCHER
16.	09115	TENSION SPRING

\* NOT AVAILABLE

### 3. LUBRICATION OF PRESS

This Press was pre-lubricated at the factory. However, it is necessary to lubricate all movable parts from time to time with a gun oil. If rust spots appear swab lightly with gun oil and wipe dry.



- A. Primer Plug
- B. Primer Sleeve
- C. Primer

### 4. UNIVERSAL PRIMER ARM

Includes Primer Plugs and Sleeves for large and small primers. The Plugs and Sleeves may be changed without removal of the complete Primer Arm. To change, merely screw in the proper size plug and sleeve. Be sure the entire assembly is tightened before priming. The Universal Primer Arm may be removed by driving out Primer Arm Pin at the base of Primer Arm. When ejecting spent primers, push Primer Arm forward, about halfway, to deflect primer into Primer Catcher.

### 5. SHELL HOLDER

The R.S. or JR-3 Press Shell Holder Ram accepts removable type Shell Holders for economy and quick changes. To install: insert Shell Holder into Ram and twist slightly to left. To remove, twist slightly to the right. The Shell Holder can be rotated to any convenient angle and still maintain perfect alignment required for precision primer seating. And since the case is held securely, problems with headspacing or improper sizing are virtually eliminated.